

# YALAN ZY203/G 3/4 Cyclone Separators

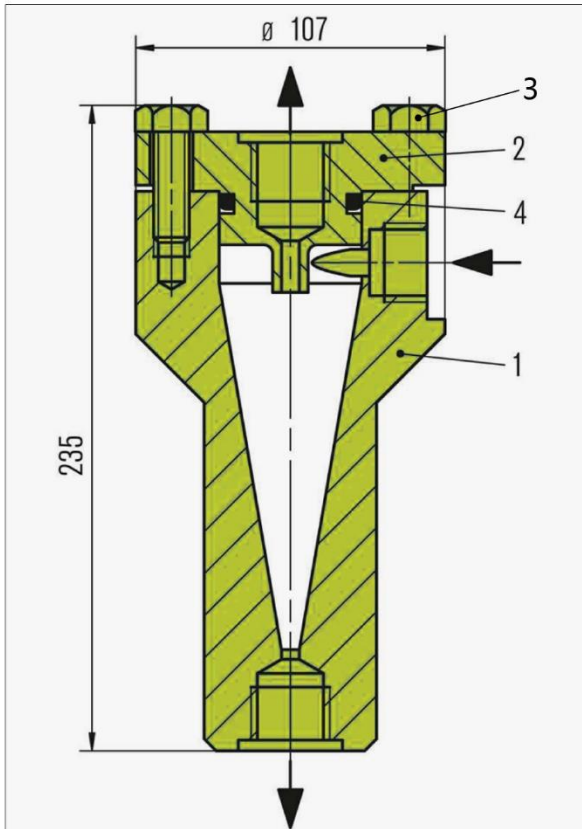
Circulation in accordance with API 682 / ISO 21049: Plan 31, API Plan 41

## Product Borchure



### WIDE RANGE OF APPLICATIONS

- Water and waste water technology
- Petrochemical industry
- Chemical industry
- Oil and gas industry
- Refining technology



Dimensions Specifically for ZY203/G 3/4

Cyclone Separator for High Flow Rates and High Pressures

**Item Descriptions**

- 1. Housing
- 2. Cover
- 3. Screw
- 4. O-Ring

**Advantages**

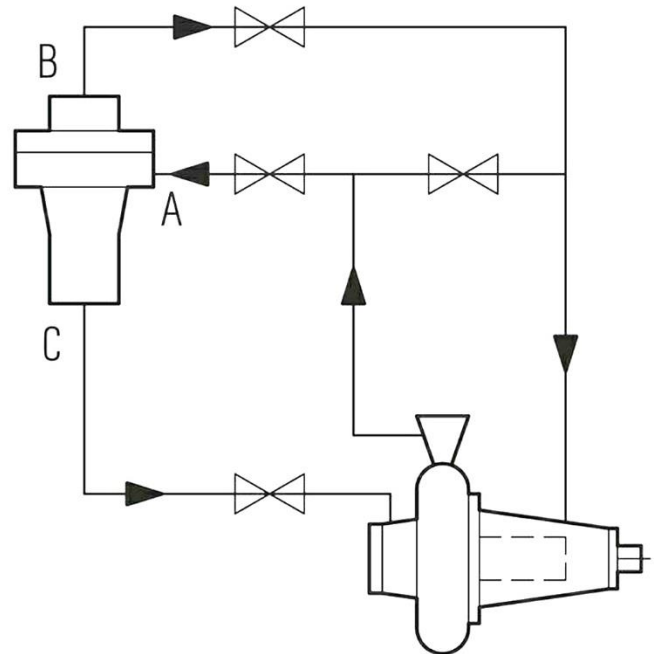
- 1. Contaminations are automatically conveyed to the suction nozzle of the pump: maintenance-free mode of operation for guaranteed reliability
- 2. High filtration efficiency
- 3. Wide range of products for the optimum solution for every application
- 4. Operating pressures up to 200 bar
- 5. Low space requirements because of compact design

## Functional Description

Cyclone separators of the ZY203 range are used to clean mainly aqueous liquids containing dirt and solids (e.g. in circulation systems of sewage, sludge or pipeline pumps). The best possible filtration efficiency is achieved when the specific weight of the solids is much higher than that of the carrier liquid (recommended by API 682 4th edition: at least double), and when the differential pressure is as large as possible within the permissible pressure range (min. 1.7 bar in accordance with API 682). The viscosity of the medium is also a factor that needs to be taken into account.

## Installation

The cyclone separator must always be installed in the vertical position. The pressure at the outlets (C) and (B) must be lower than at the inlet (A). Cleaned liquid is conveyed to the top (B) and the separated dirt to the suction port of the pump.



## Operating Conditions

Allowable Pressure	Allowable Temperature	Process Connections	Connecting Size	Housing/cover & O-Ring
200 bar	125 °C	G, R, NPT, Flange	3/4", 1"	SS316/Viton

**YALAN ZY203/G 3/4 Recommended Applications**

- Water and waste water technology
- Petrochemical industry
- Chemical industry
- Oil and gas industry
- Refining technology



**YALAN Seals**  
No. 19, Dongxin Road  
Industrial Park of Dingyuan  
City of Chuzhou, Anhui  
China